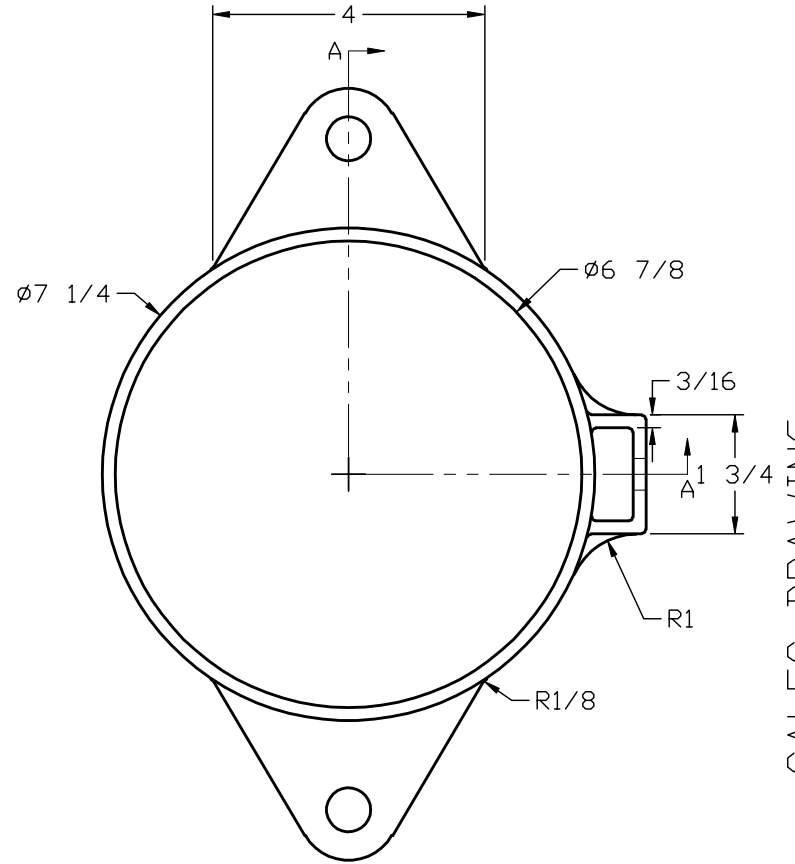
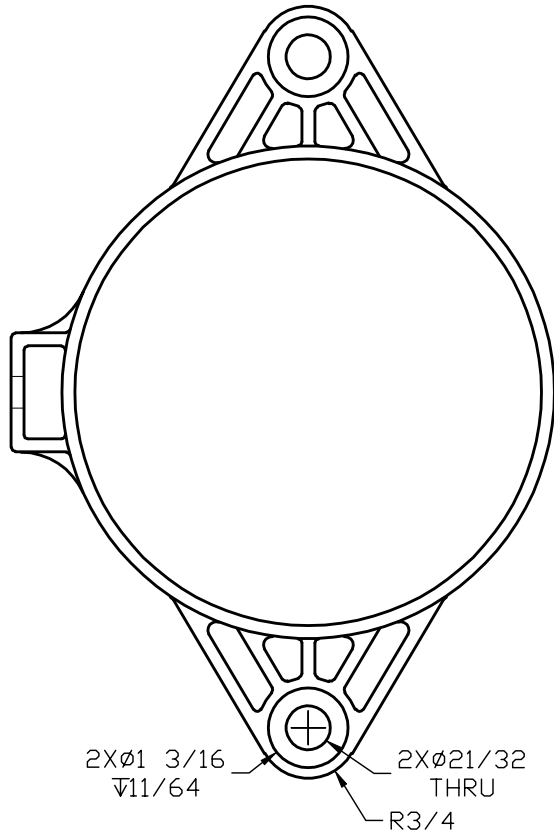


SALES DRAWING



SALES DRAWING

UNLESS OTHERWISE SPECIFIED DIMENSIONAL TOLERANCES		SALCO PRODUCTS, INC.		2D
FRACTIONAL	±1/16	DRAWN BY: BRW	CHECK BY:	SCALE: 3:4
X.XX	±0.03	MATERIAL: GRAY ABS		
X.XXX	±0.015	PART NAME: OUTLET CAP		
ANGULAR	±1°	PROJECT #:		
THIRD ANGLE PROJECTION		DRAWING #:		APPROVED FOR PRODUCTION
		C5752		PART # RP103